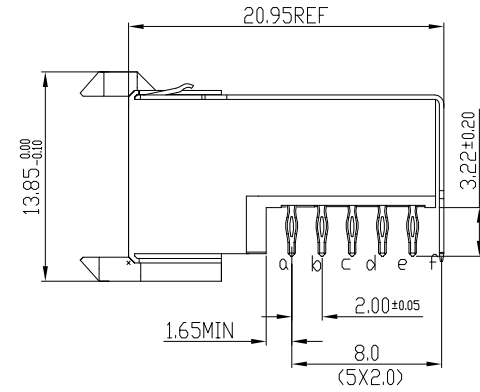
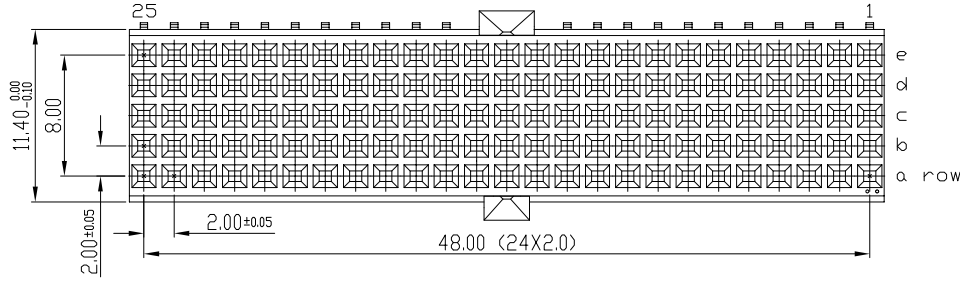


Tous droits strictement reserves. Reproduction ou communication a des tiers interdite sous quelque forme que ce soit sans autorisation écrite du propriétaire. Propriete de c FCI. Droits de reproduction FCI.



All rights strictly reserved. Reproduction or issue to third parties in any form whatever is not permitted without written authority from the proprietor. Property of FCI. Copyright FCI.

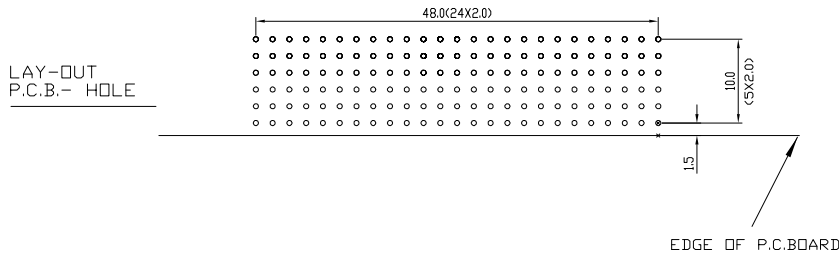
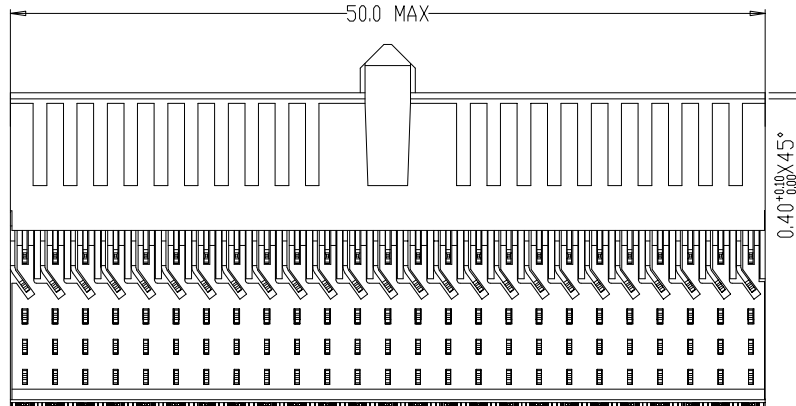


PERFORMANCE CHARACTERISTICS

- CURRENT RATING: 1.5 A AT 20°C (FULLY LOADED)
1 A AT 70°C (FULLY LOADED)
- RATED VOLTAGE: 500 V AC (CONT /CONT)
- OPERATING TEMPERATURE : -55°C TO 125°C
- CONTACT RESISTANCE : 20 mΩ MAX
- INSERTION FORCE: 0.75N MAX/CONT
- EXTRACTION FORCE : 0.15N MIN /CONT
- INSULATION RESISTANCE: 10⁴ MΩ MIN

NOTES

- LEAD FREE INDICATOR :LF=LEAD FREE
- PERFORMANCE LEVEL INDICATOR (REF DWG NO.BS.C.201844.003)
- THIS PRODUCT IS CSA APPROVED. THIS PRODUCT IS UL RECOGNIZED.
- FOR RECOMMENDED PTH DIMENSIONS REFER DRAWING :BS.A.201572.001
- THIS PRODUCT (LF) MEETS EUROPEAN UNION DIRECTIVES AND OTHER COUNTRY REGULATIONS AS DESCRIBED IN GS-22-008



rev	ecn no	dr	date
A	conversion version 02	KN	14-09-01
B	DG05-0278	Kason	02-08-05
C	DG07-0362	Kason	05-09-07

Material		Spec ref	
Mat code	Heattreat	tolerance	projection
Plating/Finish	Dr	15-01-97	MM
Eng	W.Panis	Product family	MILLIPICS
Chr		Model Name	ECN
Appr		Model Revision	REL Level
FCI	title	MPACS 5+2R RA RCP CONN TYPE AB	dwg no
Pro/E file	catalog no	HM2R65PA510F----	CUSTOMER
			BS,C ,201418,043
			Rev. C
			sheet 1 of 1